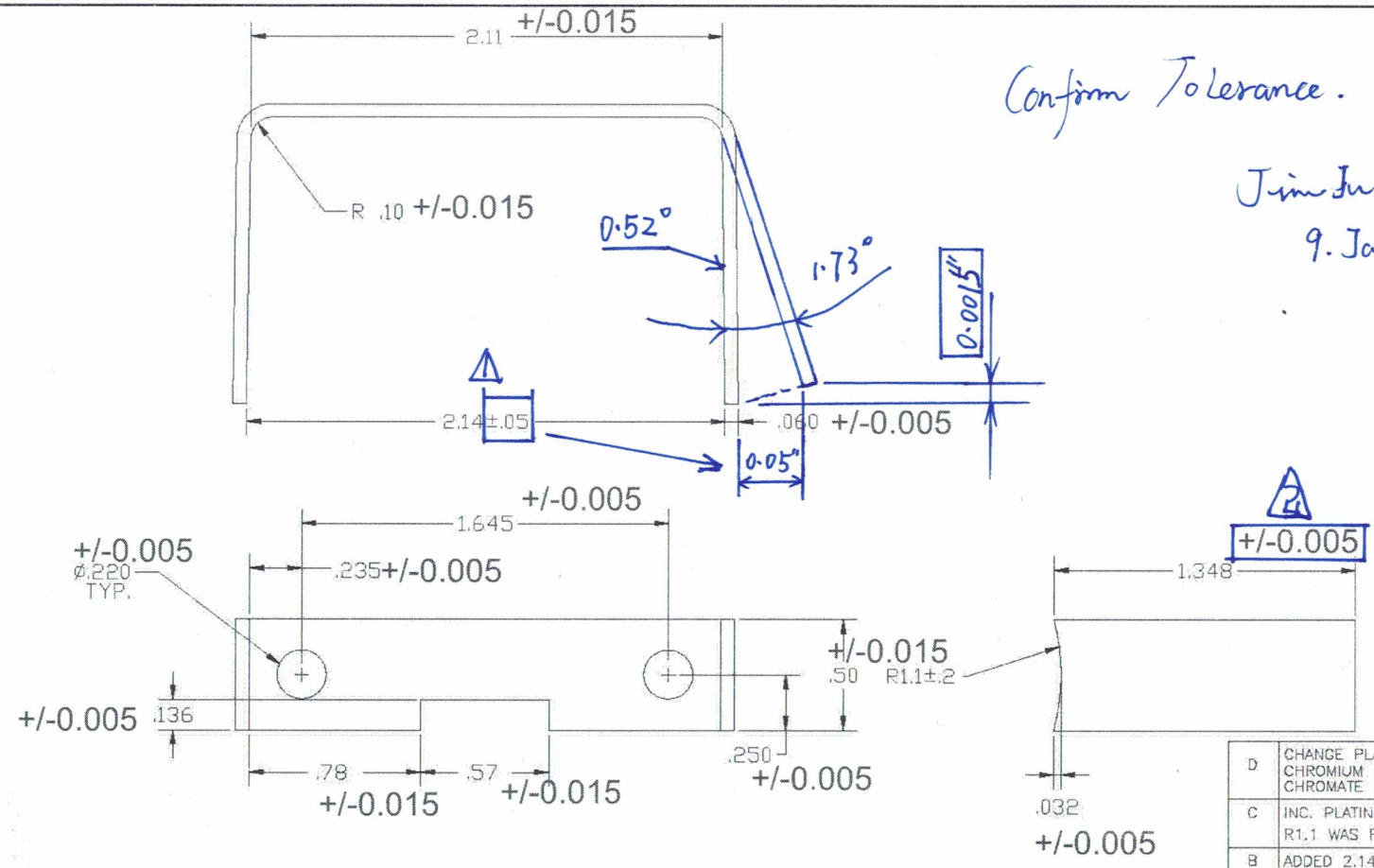


审批
2017.12.19
ACTP

Confirm Tolerance.

Jim In.
9. Jan. 2018.



NOTES:

DC01

1. MATERIAL- ~~AISI 1008/1010 CRS OR EQUIVALENT.~~
2. MATTE FINISH SLIT EDGE.
3. FINISH- TRIVALENT CHROMIUM (CLEAR ZINC PLATING)
① CHROMATE .00023"-.0006" THK.
4. ALT. MAT'L.- ~~5052-H36, ALUMINUM, UNFINISHED OR EQUIVALENT.~~

1. 材料: DC01
2. 切边不需要去毛刺。
3. 表面: 三价铬镀白锌, 厚度0.00023-0.0006"。
4. 数量: 1万件、2万件/批。
5. 图纸上所显示的数值都是英寸。

◆ SIGNIFICANT CHARACTERISTIC. THIS SYMBOL IDENTIFIES CHARACTERISTICS THAT ARE PROCESS DRIVEN AND REQUIRE SPC TO VERIFY STABILITY AND CAPABILITY

D	CHANGE PLATING TRIVALENT CHROMIUM CLEAR ZINC WAS CHROMATE IRID. YELLOW	19810	7/03/14
C	INC. PLATING THK. TOL. R1.1 WAS R.99	18657	9/28/08
B	ADDED 2.14 DIMENSION CHND. TOLERANCES	15296	9/10/02
A	NEW RELEASE, WAS X2	15132	06/13/02
REV	DESCRIPTION	ECN	DATE

REVISIONS
UNLESS OTHERWISE SPECIFIED DIMENSIONS ARE IN INCHES (mm)
TOLERANCES DECIMALS 2 PL±.015(.38) ANGLES± ~
3 PL±.005(.127)
CORNERS SHALL BE ~ RADIUS OR CHAMFER

BRACKET DDB GAUGE			
DWN RCV 2/25/02	SIZE A	DWG. NO. 112481	
CHK CDS 02/25/02			
APPD DAR 02/25/02	SCALE 1=.75	SHEET 1 OF 1	